

User's Manual



GLI 350xi and ADA 2/GLI 350xi Ground Loop Isolator and RGBHV Distribution Amplifier with Ground Loop Isolator

Precautions

Safety Instructions • English



This symbol is intended to alert the user of important operating and maintenance (servicing) instructions in the literature provided with the equipment.



This symbol is intended to alert the user of the presence of uninsulated dangerous voltage within the product's enclosure that may present a risk of electric shock.

Caution

Read Instructions • Read and understand all safety and operating instructions before using the equipment.

Retain Instructions • The safety instructions should be kept for future reference.

Follow Warnings • Follow all warnings and instructions marked on the equipment or in the user information.

Avoid Attachments • Do not use tools or attachments that are not recommended by the equipment manufacturer because they may be hazardous.

Consignes de Sécurité • Français



Ce symbole sert à avertir l'utilisateur que la documentation fournie avec le matériel contient des instructions importantes concernant l'exploitation et la maintenance (réparation).



Ce symbole sert à avertir l'utilisateur de la présence dans le boîtier de l'appareil de tensions dangereuses non isolées posant des risques d'électrocution.

Attention

Lire les instructions • Prendre connaissance de toutes les consignes de sécurité et d'exploitation avant d'utiliser le matériel.

Conservr les instructions • Ranger les consignes de sécurité afin de pouvoir les consulter à l'avenir.

Respecter les avertissements • Observer tous les avertissements et consignes marqués sur le matériel ou présentés dans la documentation utilisateur.

Éviter les pièces de fixation • Ne pas utiliser de pièces de fixation ni d'outils non recommandés par le fabricant du matériel car cela risquerait de poser certains dangers.

Sicherheitsanleitungen • Deutsch



Dieses Symbol soll dem Benutzer in der im Lieferumfang enthaltenen Dokumentation besonders wichtige Hinweise zur Bedienung und Wartung (Instandhaltung) geben.



Dieses Symbol soll den Benutzer darauf aufmerksam machen, daß im Inneren des Gehäuses dieses Produktes gefährliche Spannungen, die nicht isoliert sind und die einen elektrischen Schock verursachen können, herrschen.

Achtung

Lesen der Anleitungen • Bevor Sie das Gerät zum ersten Mal verwenden, sollten Sie alle Sicherheits- und Bedienungsanleitungen genau durchlesen und verstehen.

Aufbewahren der Anleitungen • Die Hinweise zur elektrischen Sicherheit des Produktes sollten Sie aufbewahren, damit Sie im Bedarfsfall darauf zurückgreifen können.

Befolgen der Warnhinweise • Befolgen Sie alle Warnhinweise und Anleitungen auf dem Gerät oder in der Benutzerdokumentation.

Keine Zusatzgeräte • Verwenden Sie keine Werkzeuge oder Zusatzgeräte, die nicht ausdrücklich vom Hersteller empfohlen wurden, da diese eine Gefahrenquelle darstellen können.

Instrucciones de seguridad • Español



Este símbolo se utiliza para advertir al usuario sobre instrucciones importantes de operación y mantenimiento (o cambio de partes) que se desean destacar en el contenido de la documentación suministrada con los equipos.



Este símbolo se utiliza para advertir al usuario sobre la presencia de elementos con voltaje peligroso sin protección aislante, que puedan encontrarse dentro de la caja o alojamiento del producto, y que puedan representar riesgo de electrocución.

Precaución

Leer las instrucciones • Leer y analizar todas las instrucciones de operación y seguridad, antes de usar el equipo.

Conservar las instrucciones • Conservar las instrucciones de seguridad para futura consulta.

Obedecer las advertencias • Todas las advertencias e instrucciones marcadas en el equipo o en la documentación del usuario, deben ser obedecidas.

Evitar el uso de accesorios • No usar herramientas o accesorios que no sean específicamente recomendados por el fabricante, ya que podrían implicar riesgos.

Warning

Power sources • This equipment should be operated only from the power source indicated on the product. This equipment is intended to be used with a main power system with a grounded (neutral) conductor. The third (grounding) pin is a safety feature, do not attempt to bypass or disable it.

Power disconnection • To remove power from the equipment safely, remove all power cords from the rear of the equipment, or the desktop power module (if detachable), or from the power source receptacle (wall plug).

Power cord protection • Power cords should be routed so that they are not likely to be stepped on or pinched by items placed upon or against them.

Servicing • Refer all servicing to qualified service personnel. There are no user-serviceable parts inside. To prevent the risk of shock, do not attempt to service this equipment yourself because opening or removing covers may expose you to dangerous voltage or other hazards.

Slots and openings • If the equipment has slots or holes in the enclosure, these are provided to prevent overheating of sensitive components inside. These openings must never be blocked by other objects.

Lithium battery • There is a danger of explosion if battery is incorrectly replaced. Replace it only with the same or equivalent type recommended by the manufacturer. Dispose of used batteries according to the manufacturer's instructions.

Avertissement

Alimentations • Ne faire fonctionner ce matériel qu'avec la source d'alimentation indiquée sur l'appareil. Ce matériel doit être utilisé avec une alimentation principale comportant un fil de terre (neutre). Le troisième contact (de mise à la terre) constitue un dispositif de sécurité : n'essayez pas de la contourner ni de la désactiver.

Déconnexion de l'alimentation • Pour mettre le matériel hors tension sans danger, déconnectez tous les cordons d'alimentation de l'arrière de l'appareil ou du module d'alimentation de bureau (s'il est amovible) ou encore de la prise secteur.

Protection du cordon d'alimentation • Acheminer les cordons d'alimentation de manière à ce que personne ne risque de marcher dessus et à ce qu'ils ne soient pas écrasés ou pincés par des objets.

Réparation-maintenance • Faire exécuter toutes les interventions de réparation-maintenance par un technicien qualifié. Aucun des éléments internes ne peut être réparé par l'utilisateur. Afin d'éviter tout danger d'électrocution, l'utilisateur ne doit pas essayer de procéder lui-même à ces opérations car l'ouverture ou le retrait des couvercles risquent de l'exposer à de hautes tensions et/ou des orifices.

Fentes et orifices • Si le boîtier de l'appareil comporte des fentes ou des orifices, ceux-ci servent à empêcher les composants internes sensibles de surchauffer. Ces ouvertures ne doivent jamais être bloquées par des objets.

Lithium Batterie • Il a danger d'explosion s'il y a remplacement incorrect de la batterie. Remplacer uniquement avec une batterie du meme type ou d'un type equivalent recommande par le constructeur. Mettre au reut les batteries usagées conformément aux instructions du fabricant.

Vorsicht

Stromquellen • Dieses Gerät sollte nur über die auf dem Produkt angegebene Stromquelle betrieben werden. Dieses Gerät wurde für eine Verwendung mit einer Hauptstromleitung mit einem geerdeten (neutralen) Leiter konzipiert. Der dritte Kontakt ist für einen Erdsanschluß, und stellt eine Sicherheitsfunktion dar. Diese sollte nicht umgangen oder außer Betrieb gesetzt werden.

Stromunterbrechung • Um das Gerät auf sichere Weise vom Netz zu trennen, sollten Sie alle Netzkabel aus der Rückseite des Gerätes, aus der externen Stromversorgung (falls dies möglich ist) oder aus der Wandsteckdose ziehen.

Schutz des Netzkabels • Netzkabel sollten stets so verlegt werden, daß sie nicht im Weg liegen und niemand darauf treten kann oder Objekte darauf- oder unmittelbar dagegen gestellt werden können.

Wartung • Alle Wartungsmaßnahmen sollten nur von qualifiziertem Servicepersonal durchgeführt werden. Die internen Komponenten des Gerätes sind wartungsfrei. Zur Vermeidung eines elektrischen Schocks versuchen Sie in keinem Fall, dieses Gerät selbst öffnen, da beim Entfernen der Abdeckungen die Gefahr eines elektrischen Schlags und/oder andere Gefahren bestehen.

Schlitze und Öffnungen • Wenn das Gerät Schlitze oder Löcher im Gehäuse aufweist, dienen diese zur Vermeidung einer Überhitzung der empfindlichen Teile im Inneren. Diese Öffnungen dürfen niemals von anderen Objekten blockiert werden.

Lithium-Batterie • Explosionsgefahr, falls die Batterie nicht richtig ersetzt wird. Ersetzen Sie verbrauchte Batterien nur durch den gleichen oder einen vergleichbaren Batterietyp, der auch vom Hersteller empfohlen wird. Entsorgen Sie verbrauchte Batterien bitte gemäß den Herstelleranweisungen.

Advertencia

Alimentación eléctrica • Este equipo debe conectarse únicamente a la fuente/tipo de alimentación eléctrica indicada en el mismo. La alimentación eléctrica de este equipo debe provenir de un sistema de distribución general con conductor neutro a tierra. La tercera pata (puesta a tierra) es una medida de seguridad, no puentearla ni eliminarla.

Desconexión de alimentación eléctrica • Para desconectar con seguridad la acometida de alimentación eléctrica al equipo, desenchufar todos los cables de alimentación en el panel trasero del equipo, o desenchufar el módulo de alimentación (si fuera independiente), o desenchufar el cable del receptáculo de la pared.

Protección del cables de alimentación • Los cables de alimentación eléctrica se deben instalar en lugares donde no sean pisados ni apretados por objetos que se puedan apoyar sobre ellos.

Reparaciones/mantenimiento • Solicitar siempre los servicios técnicos de personal calificado. En el interior no hay partes a las que el usuario deba acceder. Para evitar riesgo de electrocución, no intentar personalmente la reparación/mantenimiento de este equipo, ya que al abrir o extraer las tapas puede quedar expuesto a voltajes peligrosos u otros riesgos.

Ranuras y aberturas • Si el equipo posee ranuras o orificios en su caja/alojamiento, es para evitar el sobrecalentamiento de componentes internos sensibles. Estas aberturas nunca se deben obstruir con otros objetos.

Batería de litio • Existe riesgo de explosión si esta batería se coloca en la posición incorrecta. Cambiar esta batería únicamente con el mismo tipo (o su equivalente) recomendado por el fabricante. Desachar las baterías usadas siguiendo las instrucciones del fabricante.

Extron's Warranty

Extron Electronics warrants this product against defects in materials and workmanship for a period of three years from the date of purchase. In the event of malfunction during the warranty period attributable directly to faulty workmanship and/or materials, Extron Electronics will, at its option, repair or replace said products or components, to whatever extent it shall deem necessary to restore said product to proper operating condition, provided that it is returned within the warranty period, with proof of purchase and description of malfunction to:

USA, Canada, South America, and Central America:

Extron Electronics
1001 East Ball Road
Anaheim, CA 92805, USA

Europe, Africa, and the Middle East:

Extron Electronics, Europe
Beeldschermweg 6C
3821 AH Amersfoort
The Netherlands

Japan:

Extron Electronics, Japan
Kyodo Building
16 Ichibancho
Chiyoda-ku, Tokyo 102-0082
Japan

This Limited Warranty does not apply if the fault has been caused by misuse, improper handling care, electrical or mechanical abuse, abnormal operating conditions or non-Extron authorized modification to the product.

If it has been determined that the product is defective, please call Extron and ask for an Applications Engineer at (714) 491-1500 (USA), 31.33.453.4040 (Europe), 65.6383.4400 (Asia), or 81.3.3511.7655 (Japan) to receive an RA# (Return Authorization number). This will begin the repair process as quickly as possible.

Units must be returned insured, with shipping charges prepaid. If not insured, you assume the risk of loss or damage during shipment. Returned units must include the serial number and a description of the problem, as well as the name of the person to contact in case there are any questions.

Extron Electronics makes no further warranties either expressed or implied with respect to the product and its quality, performance, merchantability, or fitness for any particular use. In no event will Extron Electronics be liable for direct, indirect, or consequential damages resulting from any defect in this product even if Extron Electronics has been advised of such damage.

Please note that laws vary from state to state and country to country, and that some provisions of this warranty may not apply to you.

安全须知 • 中文



这个符号提示用户该设备用户手册中有重要的操作和维护说明。



这个符号警告用户该设备机壳内有暴露的危险电压，有触电危险。

注意

阅读说明书 • 用户使用该设备前必须阅读并理解所有安全和使用说明。

保存说明书 • 用户应保存安全说明书以备将来使用。

遵守警告 • 用户应遵守产品和用户指南上的所有安全和操作说明。

避免追加 • 不要使用该产品厂商没有推荐的工具或追加设备，以避免危险。

警告

电源 • 该设备只能使用产品上标明的电源。设备必须使用有地线的供电系统供电。第三条线（地线）是安全设施，不能不用或跳过。

拔掉电源 • 为安全地从设备拔掉电源，请拔掉所有设备后或桌面电源的电源线，或任何接到市电系统的电源线。

电源线保护 • 妥善布线，避免被踩踏，或重物挤压。

维护 • 所有维修必须由认证的维修人员进行。设备内部没有用户可以更换的零件。为避免出现触电危险不要自己试图打开设备盖子维修该设备。

通风孔 • 有些设备机壳上有通风槽或孔，它们是用来防止机内敏感元件过热。不要用任何东西挡住通风孔。

锂电池 • 不正确的更换电池会有爆炸的危险。必须使用与厂家推荐的相同或相近型号的电池。按照生产厂的建议处理废弃电池。

FCC Class A Notice

This equipment has been tested and found to comply with the limits for a Class A digital device, pursuant to part 15 of the FCC Rules. Operation is subject to the following two conditions: (1) this device may not cause harmful interference, and (2) this device must accept any interference received, including interference that may cause undesired operation. The Class A limits are designed to provide reasonable protection against harmful interference when the equipment is operated in a commercial environment. This equipment generates, uses, and can radiate radio frequency energy and, if not installed and used in accordance with the instruction manual, may cause harmful interference to radio communications. Operation of this equipment in a residential area is likely to cause harmful interference, in which case the user will be required to correct the interference at his own expense.

NOTE

This unit was tested with shielded cables on the peripheral devices. Shielded cables must be used with the unit to ensure compliance with FCC emissions limits.

Table of Contents

Chapter One • Introduction	1-1
About the GLI 350xi and ADA 2/GLI 350xi	1-2
Features	1-2
Chapter Two • Installation	2-1
Application Example.....	2-2
Mounting the GLI 350xi and ADA 2/GLI 350xi.....	2-3
Tabletop use	2-3
UL rack mounting requirements	2-3
Rack mounting	2-4
Under-furniture mounting	2-6
Chapter Three • Operation	3-1
Front Panel Features and Operation	3-2
Rear Panel Features and Operation.....	3-3
Appendix A • Specifications, Part Numbers, and Accessories	A-1
Specifications	A-2
Included Parts	A-5
Optional Accessories	A-5

All trademarks mentioned in this manual are the properties of their respective owners.

68-1445-01 Rev. B
11 07



1 Chapter One

Introduction

About the GLI 350xi and ADA 2/GLI 350xi

Features

Introduction

About the GLI 350xi and ADA 2/GLI 350xi

This manual contains information about the Extron GLI 350xi ground loop isolator and the Extron ADA 2/GLI 350xi distribution amplifier with built-in ground loop isolator. Extron ground loop isolators eliminate "hum" bars and common mode noise caused by improper equipment grounding in video systems.

Both models are rack and furniture mountable. The GLI 350xi is a one-input, one-output model; the ADA 2/GLI 350xi is a one-input, two-output unit. The terms "GLI" and "ground loop isolator" are used interchangeably in this manual to refer to either model.

Features

NTSC, PAL, and SECAM compatible — Both models are NTSC, PAL, and SECAM compatible with computers and other high resolution sources that output RGBHV, RGBS, RsGsBs, and RGsB video. The RGB channels are also compatible with low resolution video signals in component, S-video, and composite video formats.

Bandwidth — 350 MHz (-3 dB) RGB video bandwidth, fully loaded

Video input horizontal frequency range — 15 kHz - 135 kHz

Mounting options — The GLIs are rack and furniture mountable.



GLI 350xi & ADA 2/GLI 350xi

2 Chapter Two

Installation

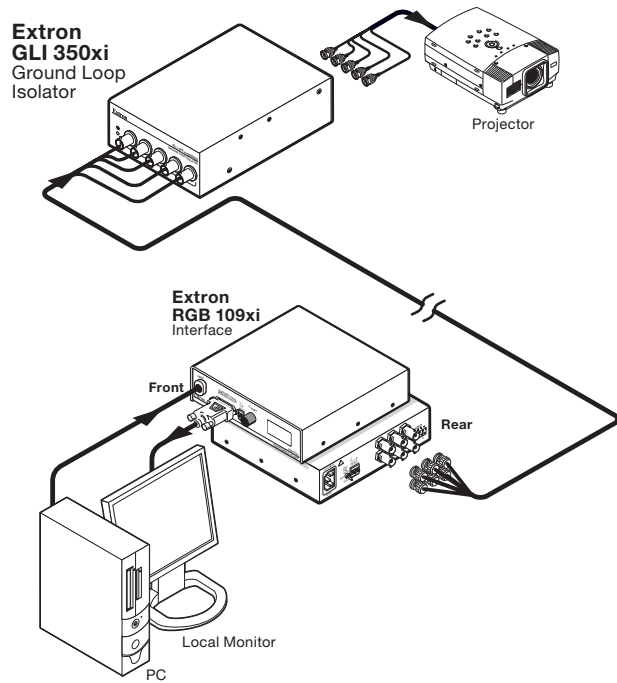
Application Examples

Mounting the GLI 350xi and ADA 2/GLI 350xi

Installation

Application Example

The following illustration is an application example for the GLI 350xi.



GLI 350xi application example

Mounting the GLI 350xi and ADA 2/GLI 350xi

The GLI 350xi and ADA 2/GLI 350xi ground loop isolators can be set on a table, mounted on a rack shelf, or mounted under a desk or other furniture.

NOTE *Install the GLI near the display device(s) rather than near the source device. See the previous application example illustration.*

Tabletop use

Four self-adhesive rubber feet are included with the ground loop isolator.

For tabletop use, attach one foot at each corner of the bottom side of the unit and place the unit in the desired location.

UL rack mounting requirements

The following Underwriters Laboratories (UL) requirements pertain to the safe installation of the equipment in a rack.

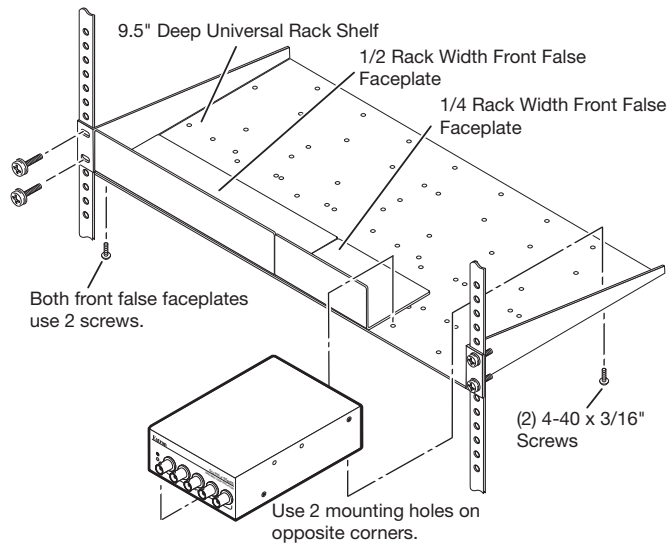
1. Elevated operating ambient temperature — If the unit is installed in a closed or multi-unit rack assembly, the operating ambient temperature of the rack environment may be greater than room ambient temperature. Therefore, install the equipment in an environment compatible with the maximum ambient temperature ($T_{ma} = +104\text{ }^{\circ}\text{F}, +40\text{ }^{\circ}\text{C}$) specified by Extron.
2. Reduced air flow — Install the equipment in a rack so that the amount of air flow required for safe operation of the equipment is not compromised.
3. Mechanical loading — Mount the equipment in the rack so that a hazardous condition is not achieved due to uneven mechanical loading.
4. Circuit overloading — Connect the equipment to the supply circuit and consider the effect that circuit overloading might have on overcurrent protection and supply wiring. Appropriate consideration of equipment nameplate ratings should be used when addressing this concern.
5. Reliable earthing (grounding) — Maintain reliable grounding of rack-mounted equipment. Pay particular attention to supply connections other than direct connections to the branch circuit (e.g., use of power strips).

Rack mounting

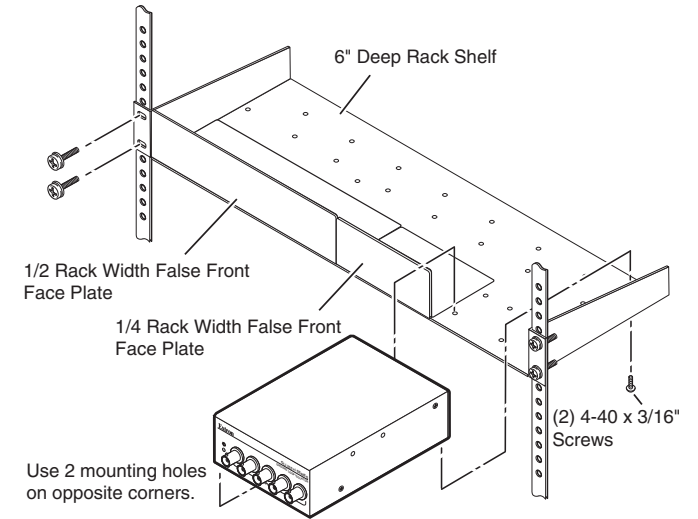
The ground loop isolators can be mounted in a rack shelf using the optional RSU 129 1U 9.5" deep universal rack shelf kit (Extron part #60-190-01) or the RSU 126 1U 6" deep universal rack shelf kit (Extron part #60-190-10), as follows.

1. If feet were installed on the bottom of the GLI, remove them.
2. Place the GLI on one half of the 1U (one unit high, 19" wide) rack shelf. Align the front of the GLI with the front of the shelf, and align the threaded holes on the bottom of the GLI with the holes in the rack shelf.
3. Attach the GLI to the rack shelf with the two provided 4-40 x 3/16" machine screws. Insert the screws from the underside of the shelf, and securely fasten them into diagonally opposite corners.

See the following illustrations of rack mounting using Extron's RSU 129 universal 9.5" deep and RSU 126 universal 6" deep rack shelves.



Rack mounting of the GLI in a 9.5" deep rack shelf



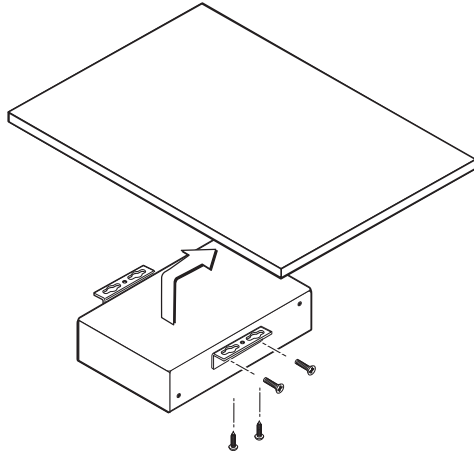
Rack mounting of the GLI in a 6" deep rack shelf

4. Attach the false front panels (provided with rack shelf kit part #60-190-01 or 60-190-10) to the unoccupied side of the rack (as shown above), as desired.
5. Attach the rack shelf to the rack using four 10-32 x 3/4" bolts (provided). Insert the bolts through #10 beveled washers, then through the holes in the rack, as shown above.

Under-furniture mounting

The GLI 350xi or ADA 2/GLI 350xi can be mounted under furniture, such as a desk or table, using the optional MBU 125 mounting kit (Extron part #70-077-01), as follows.

1. If rubber feet were previously installed on the bottom of the unit, remove them.
2. Attach the mounting brackets to the GLI with the provided machine screws.



Under-furniture mounting of the GLI

3. Hold the unit with the brackets attached against the underside of the table or other furniture. Mark the location of the screw holes of the bracket on the mounting surface.
4. Drill four pilot holes, each 3/32" (2 mm) in diameter by 1/4" deep (6.3 mm) in the mounting surface at the marked screw locations.
5. Insert #8 wood screws into the four pilot holes. Tighten each screw into the mounting surface until just less than 1/4" (6.3 mm) of the screw head protrudes.
6. Align the mounting screws with the slots in the brackets and place the unit against the surface, with the screws through the bracket slots.
7. Slide the unit slightly forward or back, then tighten all four screws to secure the unit in place.



Chapter Three

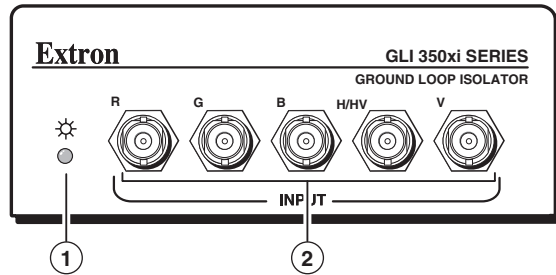
Operation

Front Panel Features and Operation

Rear Panel Features and Operation

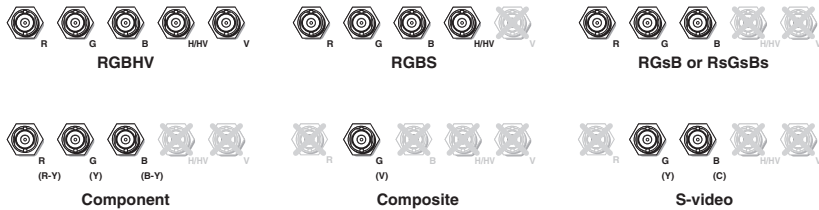
Operation

Front Panel Features and Operation

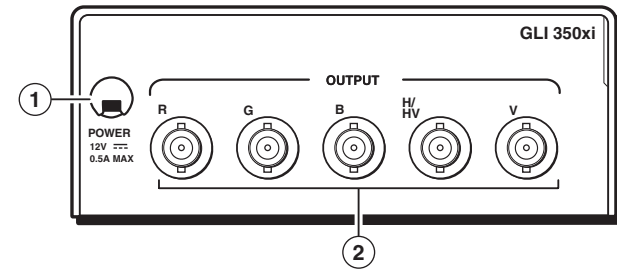


GLI Front Panel

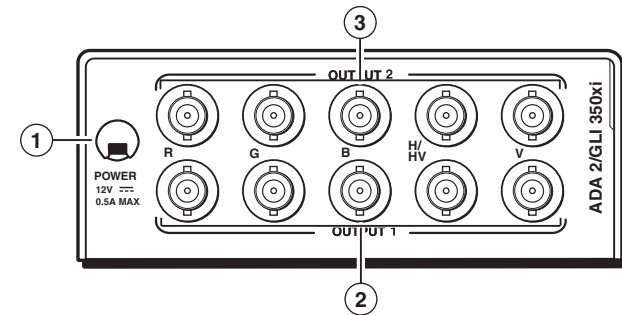
- ① **Power indicator LED** — This LED lights green when the GLI is receiving full power.
- ② **Video input** — These BNC connectors accept RGBHV, RGBS, RGSB, RsGsBs, component video, composite video, and S-video inputs. Connect coaxial cables to the inputs, as follows:



Rear Panel Features and Operation

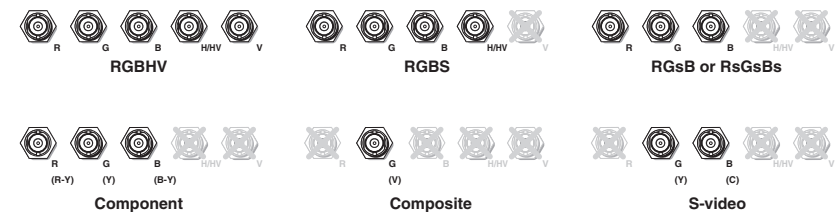


GLI 350xi Rear Panel



GLI ADA 2/GLI 350xi Rear Panel

- ① **AC power connector** — Connect the attached external power supply to a 100 VAC to 240 VAC, 50/60 Hz power source.
- ② **Video output 1** — These BNC connectors accept RGBHV, RGBS, RGSB, RsGsBs, component video, composite video, and S-video inputs. Connect coaxial cables to the outputs, as follows:



NOTE The GLI does not convert video formats. The video format on output is the same as the input video format.

- ③ **Video output 2 (ADA 2/GLI 350xi only)** — These BNC connectors accept RGBHV, RGBS, RGsB, RsGsBs, component video, composite video, and S-video inputs. Connect coaxial cables to the outputs, as shown in the previous illustration.



A

Appendix A

Specifications, Part Numbers, and Accessories

Specifications

Included Parts

Optional Accessories

Specifications, Part Numbers, and Accessories

Specifications

Video

Gain	Unity
Bandwidth	350 MHz (-3 dB), fully loaded

Video input

Number/signal type.....	1 UXGA-QXGA RGBHV, RGBS, RGsB, RsGsBs, component video, S-video, composite video
Connectors	5 female BNC
Nominal level	1 Vp-p for Y of component video and S-video, and for composite video 0.7 Vp-p for RGB and for R-Y and B-Y of component video 0.3 Vp-p for C of S-video
Minimum/maximum levels.....	Analog: 0.3 V to 1.5 Vp-p with no offset
Impedance	75 ohms
Horizontal frequency.....	15 kHz to 135 kHz
Vertical frequency.....	30 Hz to 150 Hz
Return loss	<-39 dB @ 5 MHz
DC offset (max. allowable).....	0.2 V

Video output

Number/signal type	
ADA 2/GLI 350xi	2 RGBHV, RGBS, RGsB, RsGsBs, component video, S-video, composite video
GLI 350xi	1 RGBHV, RGBS, RGsB, RsGsBs, component video, S-video, composite video
Connectors	
ADA 2/GLI 350xi	2 x 5 BNC female
GLI 350xi	5 BNC female
Nominal level	1 Vp-p for Y of component video and S-video, and for composite video 0.7 Vp-p for RGB and for R-Y and B-Y of component video 0.3 Vp-p for C of S-video
Minimum/maximum levels.....	Analog: 0.3 V to 1.5 Vp-p (follows input)
Impedance	75 ohms
Return loss	<-45 dB @ 5 MHz
DC offset	±10 mV

Sync

Input type	RGBHV, RGBS, RGsB, RsGsBs
Output type.....	RGBHV, RGBS, RGsB, RsGsBs (follows input) Tri-level on Y, R-Y, B-Y channels (component video 720p, 1080i, 1080p) Bi-level on Y channel (for all other component video rates)
Input level	RGBHV, RGBS (min./max.): 0.5 V to 5.0 Vp-p (analog/TTL) RGsB (nominal): 0.3 Vp-p (analog)
Output level	0.3 V to 1.5 Vp-p, unterminated
Input impedance	510 ohms
Output impedance	75 ohms
Max. propagation delay	H = 60 ns, V = 226 ns
Max. rise/fall time	4 ns
Polarity.....	Positive or negative (follows input)

General

External power supply (attached)	100 VAC to 240 VAC, 50/60 Hz, external; to 12 VDC, 1 A, regulated
Power input requirements	12 VDC, 0.5 A
Temperature/humidity	Storage: -40 to +158 °F (-40 to +70 °C) / 10% to 90%, noncondensing
Operating:	+32 to +104 °F (0 to +40 °C) / 10% to 90%, noncondensing
Cooling	Convection, unvented
Rack mount	Yes, with optional 1U, 9" deep rack shelf (RSU 129, #60-190-01; or RSB 129, #60-604-01); 1U, 6" deep rack shelf (RSU 126, #60-190-10; RSB 126, 60-604-10). Also furniture mountable with optional MBU 125 under-desk mounting kit, part #70-077-01.
Enclosure type	Metal
Enclosure dimensions	1.7" H x 4.3" W x 6.0" D (1U high, quarter rack wide) 4.3 cm H x 11.0 cm W x 15.2 cm D (Depth excludes connectors.)
Product weight	0.8 lbs (0.4 kg)
Shipping weight	2 lbs (1 kg)
Vibration	ISTA 1A in carton (International Safe Transit Association)

Specifications, Part Numbers, Accessories, cont'd

Listings.....	UL, CUL
Compliances.....	CE, FCC Class A, VCCI, AS/NZS, ICES
MTBF.....	30,000 hours
Warranty	3 years parts and labor

NOTE All nominal levels are at $\pm 10\%$.

NOTE Specifications are subject to change without notice.

(7.52-112707-D4)

Included Parts

These items are included in each order of the GLI 350xi or ADA 2/GLI 350xi.

Included parts	Replacement part number
GLI 350xi one-input, one-output ground loop isolator	60-223-03
<i>or</i>	
ADA 2/GLI 350xi one-input, two-output ground loop isolator	60-230-03
Product label	
(4) rubber feet (detached)	
IEC power cord	
Tweezer (small screwdriver)	
User's manual	

Optional Accessories

Accessory	Part number
RSU 129 1U 9.5" deep universal rack shelf kit	60-190-01
RSB 129 1U 9.5" deep basic rack shelf	60-604-01
RSU 126 1U 6" deep universal rack shelf kit	60-190-10
RSB 126 1U 6" deep basic rack shelf	60-604-10
MBU 125 1U under-desk mount kit	70-077-01

Specifications, Part Numbers, Accessories, cont'd